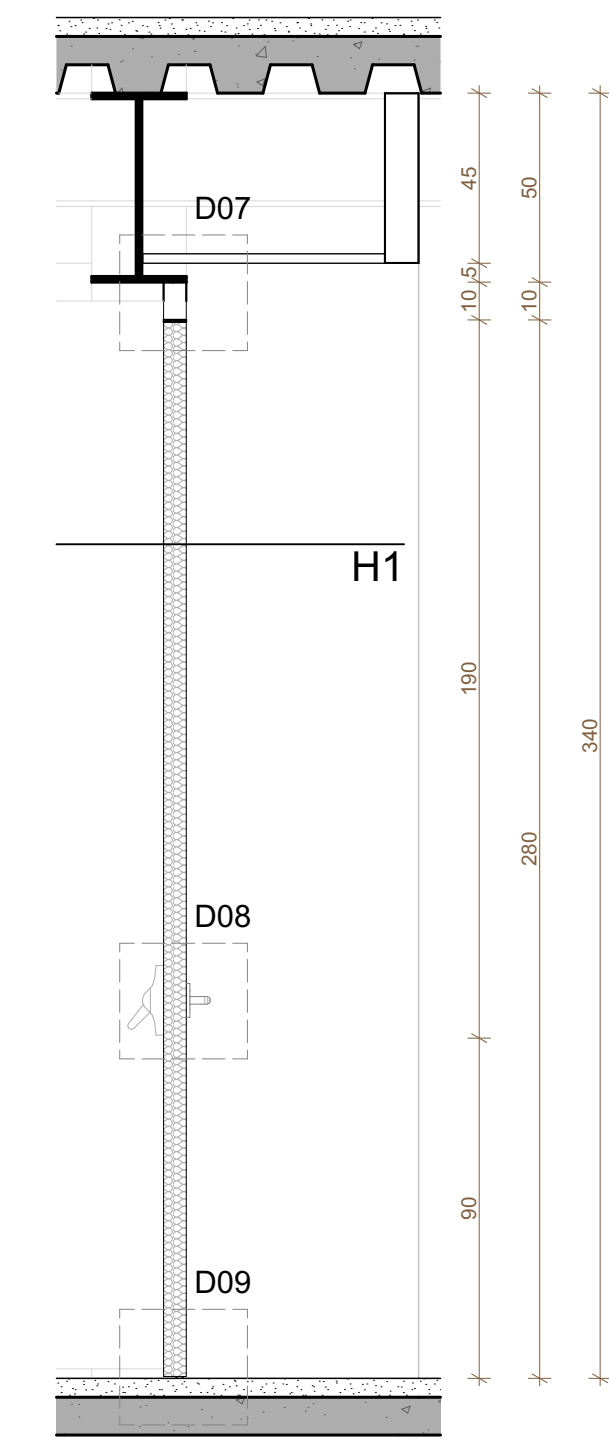
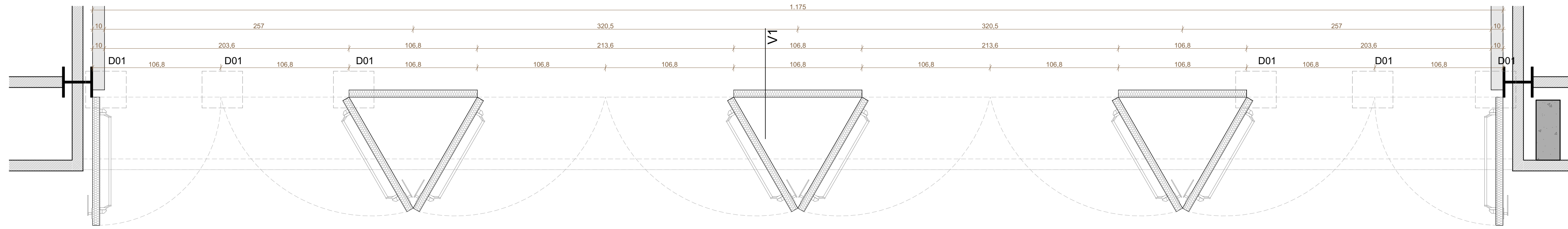


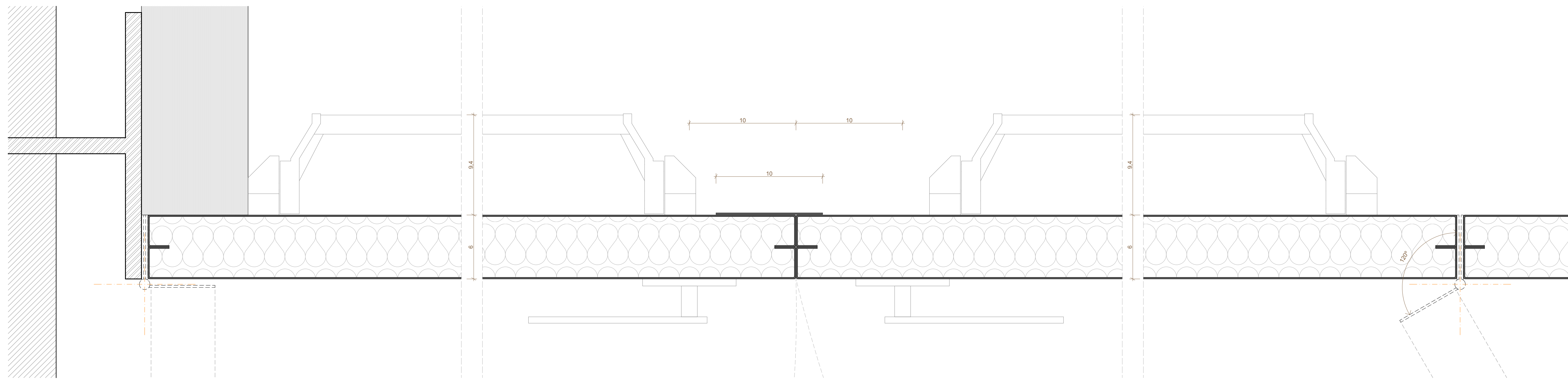
PM-19 VISTA GERAL
ESCALA 1:20



PM-19 SEÇÃO V1
ESCALA 1:20



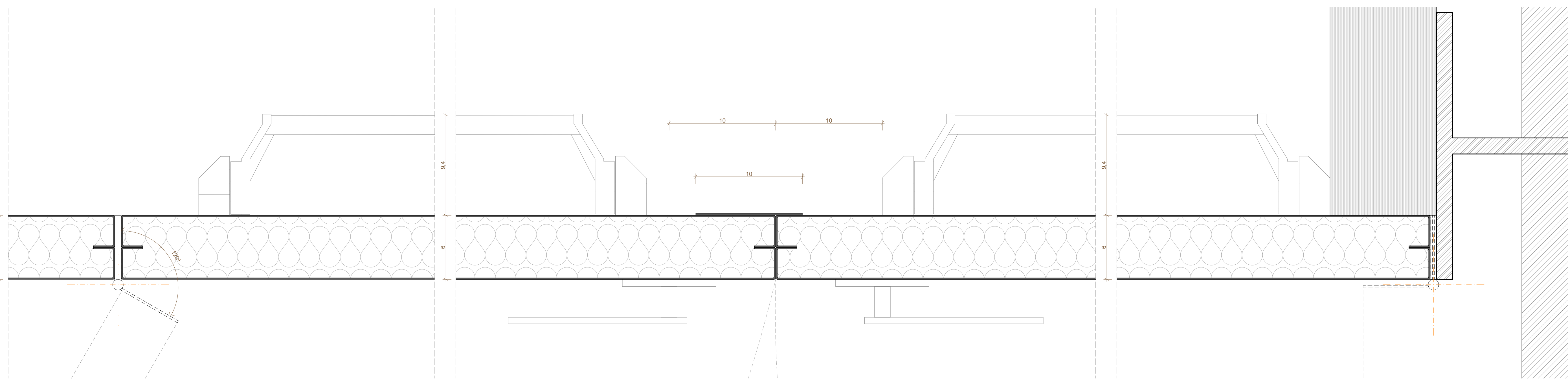
PM-19 SEÇÃO H1
ESCALA 1:20



D01
ESCALA 1:2

D02
ESCALA 1:2

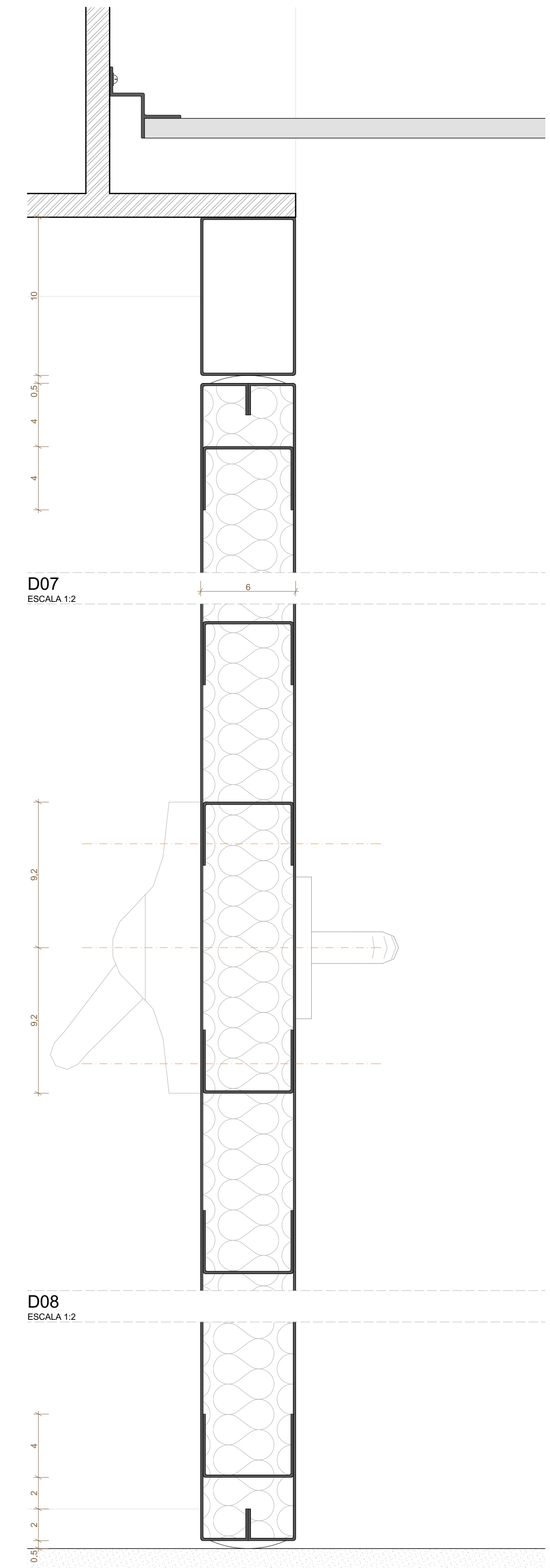
D03
ESCALA 1:2



D04
ESCALA 1:2

D05
ESCALA 1:2

D06
ESCALA 1:2



D07
ESCALA 1:2

D08
ESCALA 1:2

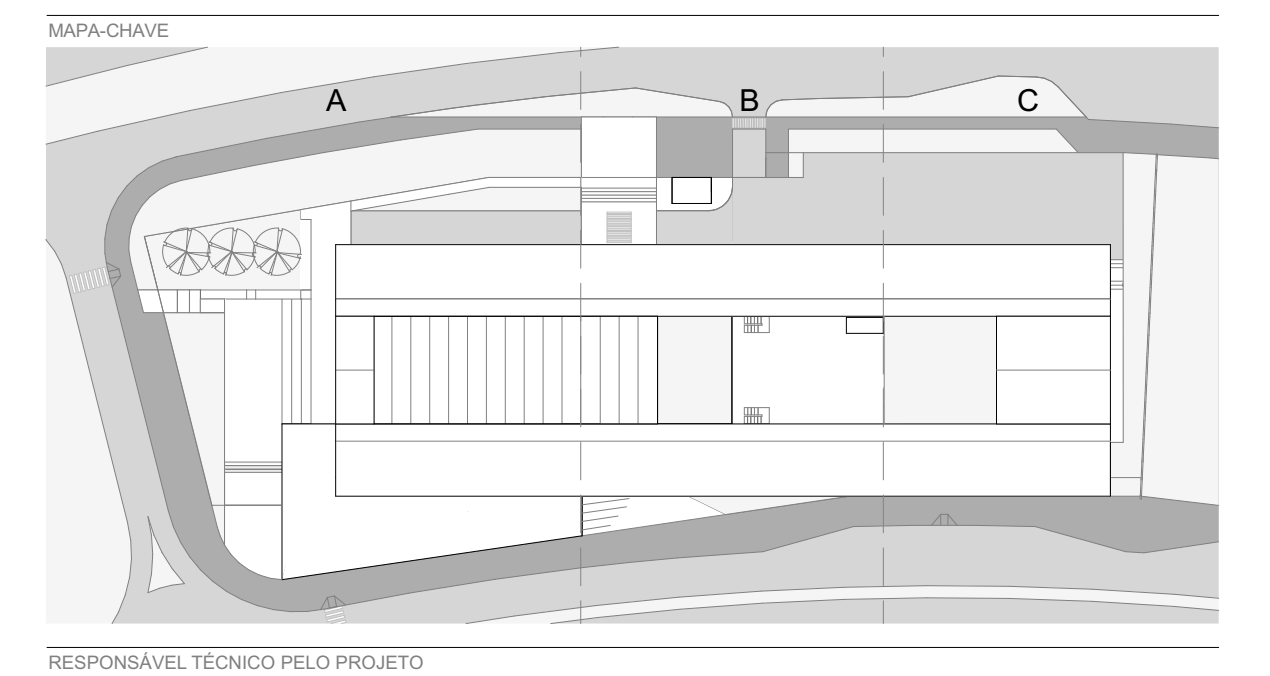
D09
ESCALA 1:2

- 1 - PAINEL DE GESSO ACARTONADO
- 2 - PREENCHIMENTO EM Lã DE ROCHA PARA ISOLAMENTO ACÚSTICO
- 3 - MAÇANETA METÁLICA DO CONJUNTO ANTI-PÂNICO
- 4 - BATENTE EM CHAPA DE AÇO (E=1,5MM)
- 5 - BARRA ANTI-PÂNICO
- 6 - DOBRADIÇA REF. HAFELE A95 SEM ANEL - INOX ESCOVADO 3.1/2X3 OU SIMILAR
- 7 - CHAPA DE AÇO DOBRADA DE FECHAMENTO DA PORTA (E=1,5MM)
- 8 - PERFIL INDUSTRIAL 60X100
- 9 - BORRACHA DE PREENCHIMENTO
- 10 - CHAPA DE AÇO DOBRADA 40X57 (E=1,5MM)

ESPECIFICAÇÃO PORTAS METÁLICAS: PAINÉIS EM CHAPA DE AÇO ESTRUTURADA COM ACABAMENTO EM PINTURA COM TINTA ESMALTE SINTÉTICO SOBRE FUNDO ANTIOXIDANTE COM ACABAMENTO FOSCO PARA METAIS COR BRANCA. REF. SUVINIL ESMALTE COR E PROTEÇÃO COR BRANCO NEVE OU SIMILAR.

REVISÃO	DATA	DESCRIÇÃO
R00	02/12/2019	EMISSÃO INICIAL

- NOTAS:
- 1 - NÃO MEDIR O DESENHO, SEMPRE CONSIDERAR AS COTAS.
 - 2 - COTAR EM METROS, NÃO SE EMETEM TODAS COTA INDICADA DEVERÁ SER CONFIRMADA NA OBRA.
 - 3 - EM CASO DE INCOERÊNCIA ENTRE DESENHOS, A ESCALA MAIS AMPLA É A QUE VIGORAR.
 - 4 - EM CASO DE DÚVIDA, O PROJETADO É O ENGENHEIRO RESPONSÁVEL, DEVENDO SER CONSULTADO.
 - 5 - TODOS OS DETALHES SEMPRE SERÃO MODIFICADOS PELA CONSTRUTORA MEDIANTE EXECUÇÃO DE PROTOTIPO E APROVAÇÃO PELA ARQUITETO RESPONSÁVEL E DO CLIENTE.
 - 6 - OBSERVAR AS NORMAS DE ACESSIBILIDADE VIGENTES NBR 9071, 9076, 9078, 9079, 9081, 9082, 9083, 9084, 9085, 9086, 9087, 9088, 9089, 9090, 9091, 9092, 9093, 9094, 9095, 9096, 9097, 9098, 9099, 9100, 9101, 9102, 9103, 9104, 9105, 9106, 9107, 9108, 9109, 9110, 9111, 9112, 9113, 9114, 9115, 9116, 9117, 9118, 9119, 9120, 9121, 9122, 9123, 9124, 9125, 9126, 9127, 9128, 9129, 9130, 9131, 9132, 9133, 9134, 9135, 9136, 9137, 9138, 9139, 9140, 9141, 9142, 9143, 9144, 9145, 9146, 9147, 9148, 9149, 9150, 9151, 9152, 9153, 9154, 9155, 9156, 9157, 9158, 9159, 9160, 9161, 9162, 9163, 9164, 9165, 9166, 9167, 9168, 9169, 9170, 9171, 9172, 9173, 9174, 9175, 9176, 9177, 9178, 9179, 9180, 9181, 9182, 9183, 9184, 9185, 9186, 9187, 9188, 9189, 9190, 9191, 9192, 9193, 9194, 9195, 9196, 9197, 9198, 9199, 9200, 9201, 9202, 9203, 9204, 9205, 9206, 9207, 9208, 9209, 9210, 9211, 9212, 9213, 9214, 9215, 9216, 9217, 9218, 9219, 9220, 9221, 9222, 9223, 9224, 9225, 9226, 9227, 9228, 9229, 9230, 9231, 9232, 9233, 9234, 9235, 9236, 9237, 9238, 9239, 9240, 9241, 9242, 9243, 9244, 9245, 9246, 9247, 9248, 9249, 9250, 9251, 9252, 9253, 9254, 9255, 9256, 9257, 9258, 9259, 9260, 9261, 9262, 9263, 9264, 9265, 9266, 9267, 9268, 9269, 9270, 9271, 9272, 9273, 9274, 9275, 9276, 9277, 9278, 9279, 9280, 9281, 9282, 9283, 9284, 9285, 9286, 9287, 9288, 9289, 9290, 9291, 9292, 9293, 9294, 9295, 9296, 9297, 9298, 9299, 9300, 9301, 9302, 9303, 9304, 9305, 9306, 9307, 9308, 9309, 9310, 9311, 9312, 9313, 9314, 9315, 9316, 9317, 9318, 9319, 9320, 9321, 9322, 9323, 9324, 9325, 9326, 9327, 9328, 9329, 9330, 9331, 9332, 9333, 9334, 9335, 9336, 9337, 9338, 9339, 9340, 9341, 9342, 9343, 9344, 9345, 9346, 9347, 9348, 9349, 9350, 9351, 9352, 9353, 9354, 9355, 9356, 9357, 9358, 9359, 9360, 9361, 9362, 9363, 9364, 9365, 9366, 9367, 9368, 9369, 9370, 9371, 9372, 9373, 9374, 9375, 9376, 9377, 9378, 9379, 9380, 9381, 9382, 9383, 9384, 9385, 9386, 9387, 9388, 9389, 9390, 9391, 9392, 9393, 9394, 9395, 9396, 9397, 9398, 9399, 9400, 9401, 9402, 9403, 9404, 9405, 9406, 9407, 9408, 9409, 9410, 9411, 9412, 9413, 9414, 9415, 9416, 9417, 9418, 9419, 9420, 9421, 9422, 9423, 9424, 9425, 9426, 9427, 9428, 9429, 9430, 9431, 9432, 9433, 9434, 9435, 9436, 9437, 9438, 9439, 9440, 9441, 9442, 9443, 9444, 9445, 9446, 9447, 9448, 9449, 9450, 9451, 9452, 9453, 9454, 9455, 9456, 9457, 9458, 9459, 9460, 9461, 9462, 9463, 9464, 9465, 9466, 9467, 9468, 9469, 9470, 9471, 9472, 9473, 9474, 9475, 9476, 9477, 9478, 9479, 9480, 9481, 9482, 9483, 9484, 9485, 9486, 9487, 9488, 9489, 9490, 9491, 9492, 9493, 9494, 9495, 9496, 9497, 9498, 9499, 9500, 9501, 9502, 9503, 9504, 9505, 9506, 9507, 9508, 9509, 9510, 9511, 9512, 9513, 9514, 9515, 9516, 9517, 9518, 9519, 9520, 9521, 9522, 9523, 9524, 9525, 9526, 9527, 9528, 9529, 9530, 9531, 9532, 9533, 9534, 9535, 9536, 9537, 9538, 9539, 9540, 9541, 9542, 9543, 9544, 9545, 9546, 9547, 9548, 9549, 9550, 9551, 9552, 9553, 9554, 9555, 9556, 9557, 9558, 9559, 9560, 9561, 9562, 9563, 9564, 9565, 9566, 9567, 9568, 9569, 9570, 9571, 9572, 9573, 9574, 9575, 9576, 9577, 9578, 9579, 9580, 9581, 9582, 9583, 9584, 9585, 9586, 9587, 9588, 9589, 9590, 9591, 9592, 9593, 9594, 9595, 9596, 9597, 9598, 9599, 9600, 9601, 9602, 9603, 9604, 9605, 9606, 9607, 9608, 9609, 9610, 9611, 9612, 9613, 9614, 9615, 9616, 9617, 9618, 9619, 9620, 9621, 9622, 9623, 9624, 9625, 9626, 9627, 9628, 9629, 9630, 9631, 9632, 9633, 9634, 9635, 9636, 9637, 9638, 9639, 9640, 9641, 9642, 9643, 9644, 9645, 9646, 9647, 9648, 9649, 9650, 9651, 9652, 9653, 9654, 9655, 9656, 9657, 9658, 9659, 9660, 9661, 9662, 9663, 9664, 9665, 9666, 9667, 9668, 9669, 9670, 9671, 9672, 9673, 9674, 9675, 9676, 9677, 9678, 9679, 9680, 9681, 9682, 9683, 9684, 9685, 9686, 9687, 9688, 9689, 9690, 9691, 9692, 9693, 9694, 9695, 9696, 9697, 9698, 9699, 9700, 9701, 9702, 9703, 9704, 9705, 9706, 9707, 9708, 9709, 9710, 9711, 9712, 9713, 9714, 9715, 9716, 9717, 9718, 9719, 9720, 9721, 9722, 9723, 9724, 9725, 9726, 9727, 9728, 9729, 9730, 9731, 9732, 9733, 9734, 9735, 9736, 9737, 9738, 9739, 9740, 9741, 9742, 9743, 9744, 9745, 9746, 9747, 9748, 9749, 9750, 9751, 9752, 9753, 9754, 9755, 9756, 9757, 9758, 9759, 9760, 9761, 9762, 9763, 9764, 9765, 9766, 9767, 9768, 9769, 9770, 9771, 9772, 9773, 9774, 9775, 9776, 9777, 9778, 9779, 9780, 9781, 9782, 9783, 9784, 9785, 9786, 9787, 9788, 9789, 9790, 9791, 9792, 9793, 9794, 9795, 9796, 9797, 9798, 9799, 9800, 9801, 9802, 9803, 9804, 9805, 9806, 9807, 9808, 9809, 9810, 9811, 9812, 9813, 9814, 9815, 9816, 9817, 9818, 9819, 9820, 9821, 9822, 9823, 9824, 9825, 9826, 9827, 9828, 9829, 9830, 9831, 9832, 9833, 9834, 9835, 9836, 9837, 9838, 9839, 9840, 9841, 9842, 9843, 9844, 9845, 9846, 9847, 9848, 9849, 9850, 9851, 9852, 9853, 9854, 9855, 9856, 9857, 9858, 9859, 9860, 9861, 9862, 9863, 9864, 9865, 9866, 9867, 9868, 9869, 9870, 9871, 9872, 9873, 9874, 9875, 9876, 9877, 9878, 9879, 9880, 9881, 9882, 9883, 9884, 9885, 9886, 9887, 9888, 9889, 9890, 9891, 9892, 9893, 9894, 9895, 9896, 9897, 9898, 9899, 9900, 9901, 9902, 9903, 9904, 9905, 9906, 9907, 9908, 9909, 9910, 9911, 9912, 9913, 9914, 9915, 9916, 9917, 9918, 9919, 9920, 9921, 9922, 9923, 9924, 9925, 9926, 9927, 9928, 9929, 9930, 9931, 9932, 9933, 9934, 9935, 9936, 9937, 9938, 9939, 9940, 9941, 9942, 9943, 9944, 9945, 9946, 9947, 9948, 9949, 9950, 9951, 9952, 9953, 9954, 9955, 9956, 9957, 9958, 9959, 9960, 9961, 9962, 9963, 9964, 9965, 9966, 9967, 9968, 9969, 9970, 9971, 9972, 9973, 9974, 9975, 9976, 9977, 9978, 9979, 9980, 9981, 9982, 9983, 9984, 9985, 9986, 9987, 9988, 9989, 9990, 9991, 9992, 9993, 9994, 9995, 9996, 9997, 9998, 9999, 10000.



RESPONSÁVEL TÉCNICO PELO PROJETO:
EDER RODRIGUES DE ALENCAR
CAU/ARQ-219

OBJETO		FOLHA	
PROJETO EXECUTIVO	ESQUADRIAS - PM-19	ESCALA	INDICADA
DATA	REVISÃO	INDICADA	ARQ-421
DEZ 2019	R00		